

Cable Temperature Sensor

Used as a duct temperature sensor with a mounting flange or as an immersion temperature sensor in combination with an immersion sleeve. With stainless steel probe and PVC cable.


Type Overview

Type	Output signal	Probe length	Probe diameter
01CT-1AH	Pt100	50 mm	6 mm
01CT-1BH	Pt1000	50 mm	6 mm
01CT-1CH	Ni1000	50 mm	6 mm
01CT-1DH	Ni1000TK5000	50 mm	6 mm
01CT-1FH	NTC1k8	50 mm	6 mm
01CT-1LH	NTC10k (10k2)	50 mm	6 mm
01CT-1QH	NTC20k	50 mm	6 mm

Technical Data

Electrical data	Electrical connection	Cable 2 m, 2-wire
Functional data	Output signal passive temperature	Pt100 Pt1000 Ni1000 Ni1000TK5000 NTC1k8 NTC10k (10k2) NTC20k
	Application	Air Water
Measuring data	Measuring values	Temperature
	Measuring range temperature	-35...100°C [-30...210°F]
	Accuracy temperature passive	Passive Sensors depending on used type Pt.. : Class B, $\pm 0.3^{\circ}\text{C}$ @ 0°C [$\pm 0.5^{\circ}\text{F}$ @ 32°F] Ni.. : $\pm 0.4^{\circ}\text{C}$ @ 0°C [$\pm 0.7^{\circ}\text{F}$ @ 32°F] NTC.. : $\pm 0.2^{\circ}\text{C}$ @ 25°C [$\pm 0.35^{\circ}\text{F}$ @ 77°F]
Safety data	Ambient humidity	Max. 95% r.H., non-condensing
	Ambient temperature	-35...100°C [-30...210°F]
	Fluid temperature	-35...100°C [-30...210°F]
	Protection class IEC/EN	III Safety Extra-Low Voltage (SELV)
	Protection class UL	UL Class 2 Supply
	EU Conformity	CE Marking
	Certification IEC/EN	IEC/EN 60730-1
	Degree of protection IEC/EN	IP67
	Degree of protection NEMA/UL	NEMA 4X
	Quality Standard	ISO 9001

Safety notes


This device has been designed for use in stationary heating, ventilation and air-conditioning systems and must not be used outside the specified field of application. Unauthorised modifications are prohibited. The product must not be used in relation with any equipment that in case of a failure may threaten humans, animals or assets.

Ensure all power is disconnected before installing. Do not connect to live/operating equipment.

Only authorised specialists may carry out installation. All applicable legal or institutional installation regulations must be complied during installation.

The device contains electrical and electronic components and must not be disposed of as household refuse. All locally valid regulations and requirements must be observed.

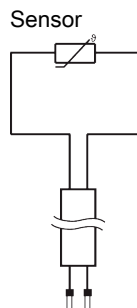
Remarks
General remarks concerning sensors

Due to self-heating with 2 wire passive sensors, the supply wire current affects the measurement accuracy, so it should not exceed 1 mA.

When using lengthy connecting cables (depending on the cross section used), the cable resistance must be taken into account. The lower the impedance of the sensor used, the greater the effect of the line resistance on the measurement, because it generates an offset.

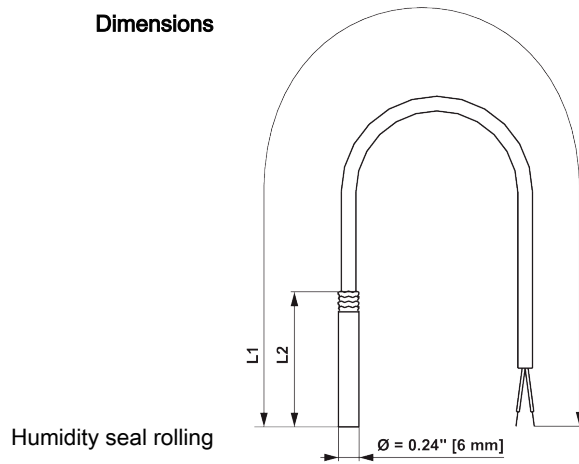
Accessories

Optional accessories	Description	Type
	Cold barrier, Plastic, L 50 mm, for thermowell pocket A-22P-A..	A-22P-A51
Optional accessories air	Description	Type
	Mounting flange for sensor probe 6 mm, up to max. 80°C, Plastic	A-22D-A03
	Mounting flange for sensor probe 6 mm, up to max. 260°C, Brass	A-22D-A05
Recommended accessories water	Description	Type
	Thermowell pocket (fabricated) Stainless steel, 50 mm, G1/2", SW27	A-22P-A06
	Thermowell pocket (fabricated) Stainless steel, 100 mm, G1/2", SW27	A-22P-A08
	Thermowell pocket (fabricated) Stainless steel, 150 mm, G1/2", SW27	A-22P-A10
	Thermowell pocket (fabricated) Stainless steel, 200 mm, G1/2", SW27	A-22P-A12
	Thermowell pocket (fabricated) Stainless steel, 300 mm, G1/2", SW27	A-22P-A14
	Thermowell pocket (fabricated) Stainless steel, 450 mm, G1/2", SW27	A-22P-A16
	Thermowell pocket (fabricated) Brass, 50 mm, R1/2", SW22	A-22P-A18
	Thermowell pocket (fabricated) Brass, 100 mm, R1/2", SW22	A-22P-A20
	Thermowell pocket (fabricated) Brass, 150 mm, R1/2", SW22	A-22P-A22
	Thermowell pocket (fabricated) Brass, 200 mm, R1/2", SW22	A-22P-A24
	Thermowell pocket (fabricated) Brass, 300 mm, R1/2", SW22	A-22P-A26
	Thermowell pocket (fabricated) Brass, 450 mm, R1/2", SW22	A-22P-A28
	Syringe with thermal paste	A-22P-A44
	Compression fitting, Stainless steel, G 1/4" (external thread) for 6 mm, with cutting ring	A-22P-A45

Wiring diagram


Dimensions

Dimensions



L1: cable length L1 = 6.56 ft [2 m]
 L2: pocket length L2 = 1.97" [50 mm] / 3.94" [100 mm] / 7.87" [200 mm]

Type	Probe length	Weight
01CT-1AH	50 mm	0.065 kg
01CT-1BH	50 mm	0.065 kg
01CT-1CH	50 mm	0.065 kg
01CT-1DH	50 mm	0.065 kg
01CT-1FH	50 mm	0.065 kg
01CT-1LH	50 mm	0.065 kg
01CT-1QH	50 mm	0.065 kg