

Shaft extension 240 mm for CrNi

- Length ca. 240 mm
- for damper spindles \varnothing 12...21 mm CrNi (INOX)
- shaft extension \varnothing 20 mm

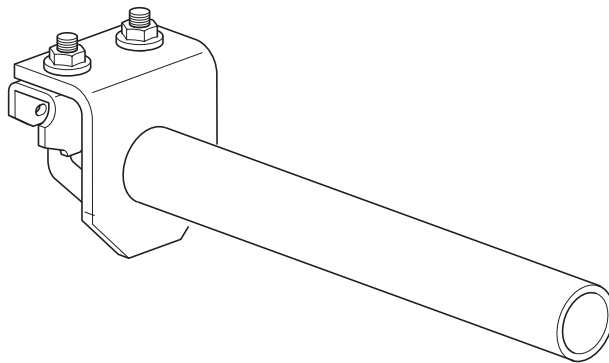


Technical data

Weight	Weight	0.41 kg
	Packaging size	Single-pack

Product features

Used materials	Galvanised steel
Application	Suitable for SM..A, SMC..A, SMD..A, NMD..A



Dimensions [mm]

Dimensional drawings

