

Characterised control valve, 2-way,
Flange, PN 6

- For open and closed cold and warm water systems
- For modulating control of air-handling and heating systems on the water side
- Air bubble tight


Type overview

Type	DN []	kvs [m ³ /h]	PN []	Sv min. []
R6015RP63-B1	15	0.63	6	50
R6015R1-B1	15	1	6	50
R6015R1P6-B1	15	1.6	6	50
R6015R2P5-B1	15	2.5	6	50
R6015R4-B1	15	4	6	100
R6020R6P3-B1	20	6.3	6	100
R6025R10-B2	25	10	6	100
R6032R16-B3	32	16	6	100
R6040R25-B3	40	25	6	100
R6050R40-B3	50	40	6	100

Technical data

Functional data	Media	Cold and warm water, water with glycol up to max. 50% vol.
Medium temperature		-10...100°C
Medium temperature note		At a medium temperature of -10...2°C, a spindle heating or a valve neck extension is recommended. The allowed media temperature can be limited, depending on the type of actuator. Limitations can be found in the respective data sheets of the actuators.
Permissible pressure ps		600 kPa
Closing pressure Δps		600 kPa
Differential pressure Δpmax		100 kPa
Flow characteristic		equal percentage (VDI/VDE 2178), optimised in the opening range
Leakage rate		Leakage rate A, air-bubble-tight (EN 12266-1)
Pipe connector		Flange PN 6 according to EN 1092-1/4
Angle of rotation		90°
Angle of rotation note		Operating range 15...90°
Installation position		Upright to horizontal (in relation to the stem)
Maintenance		Maintenance-free
Materials	Housing	Brass body nickel-plated
	Closing element	chrome-plated brass
	Stem	Nickel-plated brass
	Stem seal	O-ring EPDM
	Ball seat	PTFE, O-ring EPDM (DN 15) PTFE, O-ring Viton (DN 20) PTFE, O-ring EPDM (DN 25...50)
	Characterizing disk	TEFZEL
	Flange ring	Galvanised steel (DN 15...20) Aluminium (DN 25...50)
	Flange sealing surface	Nickel-plated brass

Safety notes



- The valve has been designed for use in stationary heating, ventilation and air-conditioning systems and must not be used outside the specified field of application, especially in aircraft or in any other airborne means of transport.
- Only authorised specialists may carry out installation. All applicable legal or institutional installation regulations must be complied during installation.
- The valve does not contain any parts that can be replaced or repaired by the user.
- The valve may not be disposed of as household refuse. All locally valid regulations and requirements must be observed.
- When determining the flow rate characteristic of controlled devices, the recognised directives must be observed.

Product features

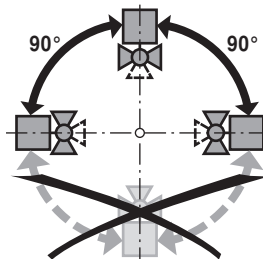
Mode of operation	The characterised control valve is adjusted by a rotary actuator. The actuator is controlled by a commercially available modulating or 3-point control system and moves the ball of the valve – the throttling device – to the position dictated by the positioning signal. Open the characterised control valve counterclockwise and close it clockwise.
Flow characteristic	Equal percentage flow control is ensured by the integrated characterising disc.

Accessories

	Description	Type
Electrical accessories	Spindle heating DN 15-50 (20W)	ZR24-2
	Description	Type
Mechanical accessories	Extension Kit	ZR-EXT-01

Installation notes

Recommended installation positions The ball valve can be installed upright to horizontal. The ball valve may not be installed in a hanging position, i.e. with the stem pointing downwards.

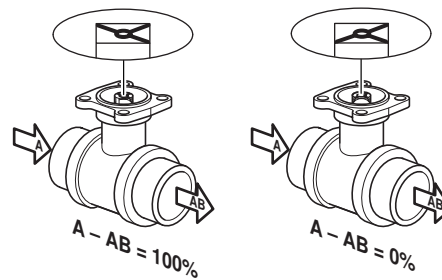


Water quality requirements The water quality requirements specified in VDI 2035 must be adhered to. Belimo valves are regulating devices. For the valves to function correctly in the long term, they must be kept free from particle debris (e.g. welding beads during installation work). The installation of suitable strainer is recommended.

Maintenance Ball valves and rotary actuators are maintenance-free. Before any service work on the final controlling device is carried out, it is essential to isolate the rotary actuator from the power supply (by unplugging the electrical cable if necessary). Any pumps in the part of the piping system concerned must also be switched off and the appropriate slide valves closed (allow all components to cool down first if necessary and always reduce the system pressure to ambient pressure level). The system must not be returned to service until the ball valve and the rotary actuator have been correctly reassembled in accordance with the instructions and the pipeline has been refilled by professionally trained personnel.

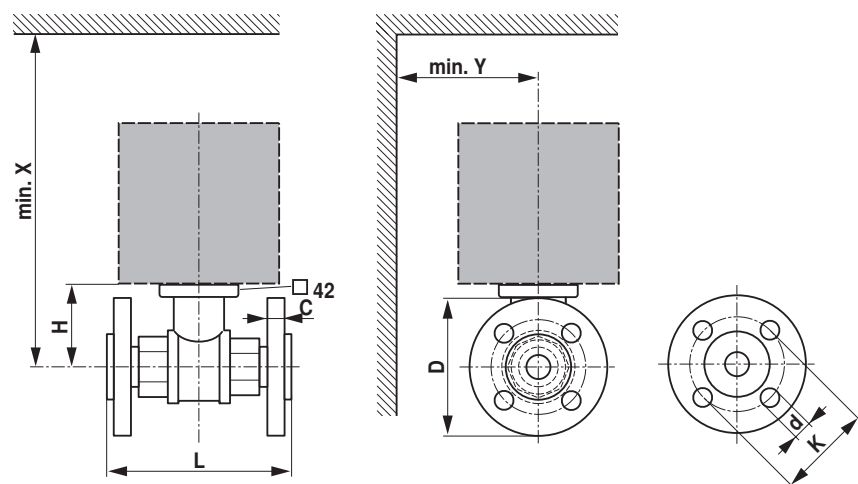
Installation notes

Flow direction The direction of flow, specified by an arrow on the housing, is to be complied with, since otherwise the ball valve could become damaged. Please ensure that the ball is in the correct position (marking on the spindle).



Dimensions / Weight

Dimensional drawings



X/Y: Minimum distance with respect to the valve centre.
The actuator dimensions can be found on the respective actuator data sheet.

Type	DN []	L [mm]	H [mm]	C [mm]	D [mm]	d [mm]	K [mm]	X [mm]	Y [mm]	Weight [kg]
R6015RP63-B1	15	101	35	10	80	4 x 11	55	230	90	1.3
R6015R1-B1	15	101	35	10	80	4 x 11	55	230	90	1.3
R6015R1P6-B1	15	101	35	10	80	4 x 11	55	230	90	1.3
R6015R2P5-B1	15	101	44	10	80	4 x 11	55	230	90	1.3
R6015R4-B1	15	101	44	10	80	4 x 11	55	230	90	1.3
R6020R6P3-B1	20	112	46	10	90	4 x 11	65	235	95	1.6
R6025R10-B2	25	132	46	15	100	4 x 11	75	235	100	1.5
R6032R16-B3	32	143	50.5	12	120	4 x 14	90	240	105	2.2
R6040R25-B3	40	151	50.5	12	130	4 x 14	100	240	110	2.7
R6050R40-B3	50	165	56	12	140	4 x 14	110	245	115	3.4

Further documentation

- Overview Valve-actuator combinations
- Data sheets for actuators
- Installation instructions for actuators and/or ball valves
- General notes for project planning