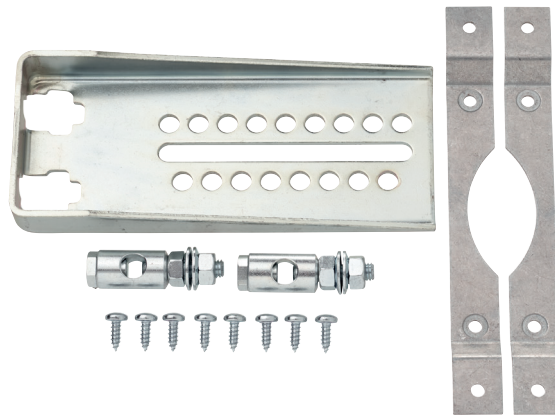


**Mounting kit for linkage operation
GM..A**

- for flat installation
- 2 fastening elements
- 2 ball joint KG10A
- 1 crank arm
- 8 screws

**Technical data**

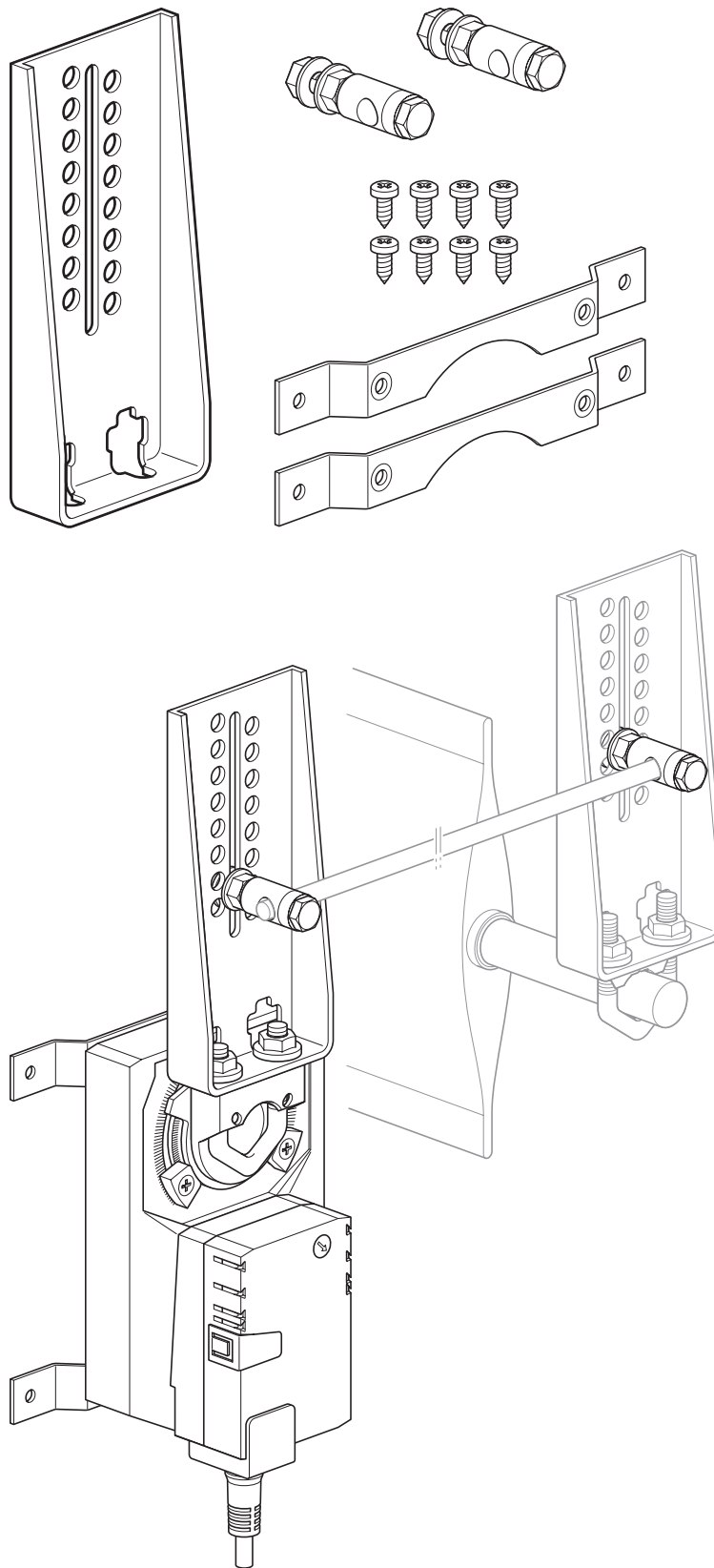
Weight	Weight	0.586 kg
	Packaging size	Single-pack

Product features

Used materials Galvanised steel

Product features

Application Suitable for GK..A, GM..A, SMQ..A



Dimensions [mm]

Dimensional drawings

